

MSD INSTALLATION INSTRUCTIONS

MSD Blaster Mitsubishi/Neon Coil Pack PN 8239

ONLINE PRODUCT REGISTRATION: Register your MSD product online. Registering your product will help if there is ever a warranty issue with your product and helps the MSD R&D team create new products that you ask for! Go to www.msperformance.com/registration.

IMPORTANT: Read instructions before attempting the installation.

Parts Included:

1 - MSD Blaster Coil

WARNING: During installation, disconnect the battery cables. When disconnecting the battery, always remove the Negative cable first and install it last.

The MSD Blaster Coil is designed as a high performance replacement coil and produces a higher voltage spark than OE type coils.

The MSD Coil, PN 8239 has flat terminal pins to fit all Generation 1 MINI Coopers.

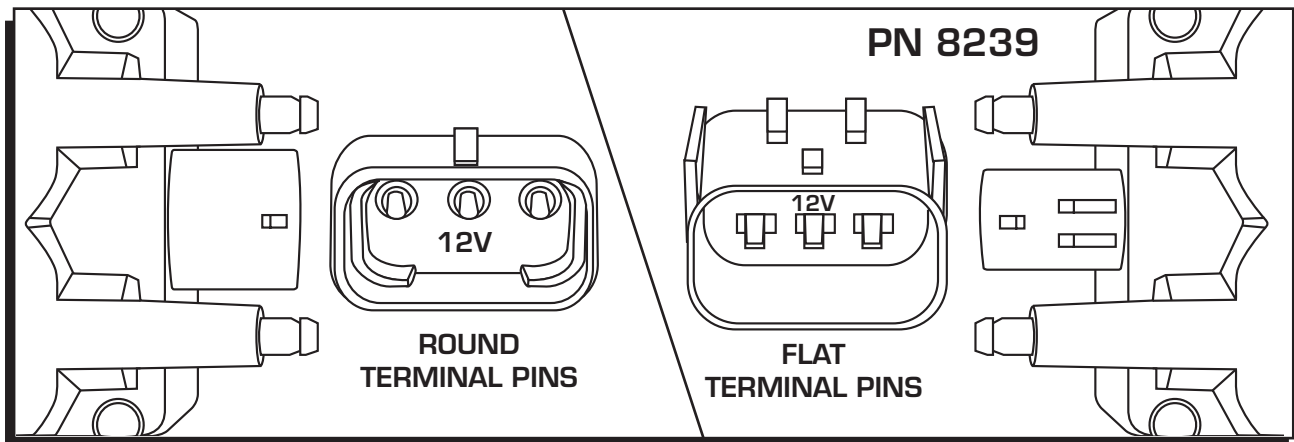


Figure 1 The difference between round and flat terminal coils.

WARNING: High Voltage is present on the coil terminals. DO NOT touch the coil terminals or tower when the engine is cranking or running.

1. Disconnect the stock coil connector and note the position of the plug wires before removing the wires.
2. Remove the four mounting bolts and remove the old coil.
3. Install the new MSD Blaster Coil in the same location. Use the supplied M6-1.0x45mm long button head screws and flat washers. Tighten to 15 in-lbs. NOTE: The valve cover is plastic and will break if the screws are over tightened.
4. Plug in the 3-pin wiring harness connector and connect the spark plug wires in the same position as they were removed.
5. DONE